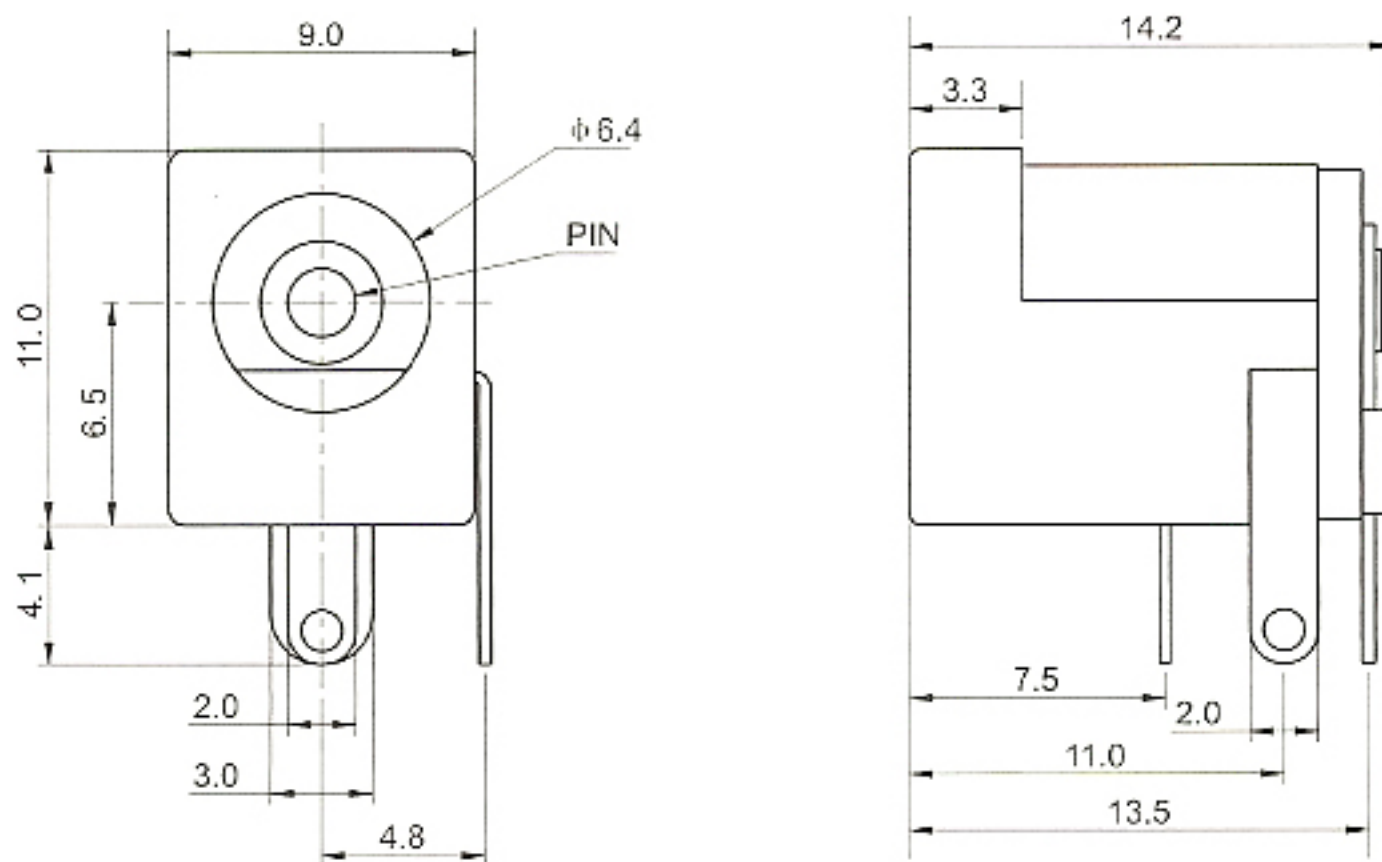
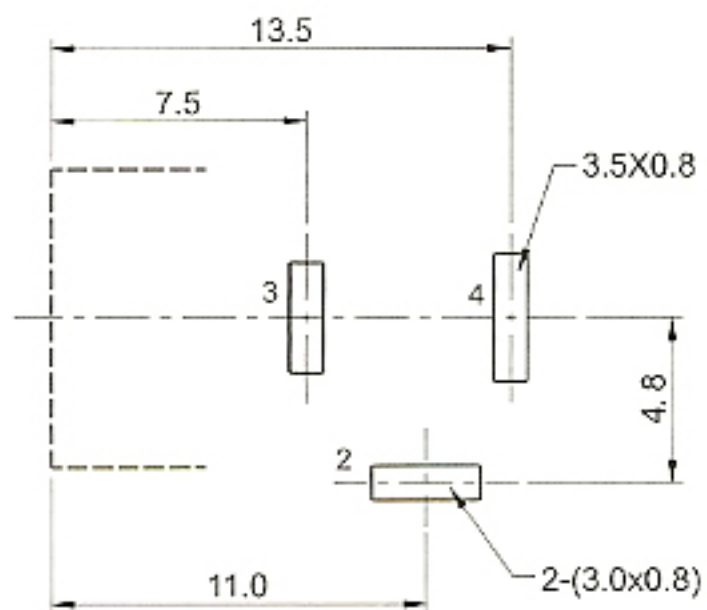


DC POWER JACK (DC-005)



P.C.B LAYOUT TOP VIEW



PIN	$\phi 2.0$	$\phi 2.35$	$\phi 2.5$
APPD			

